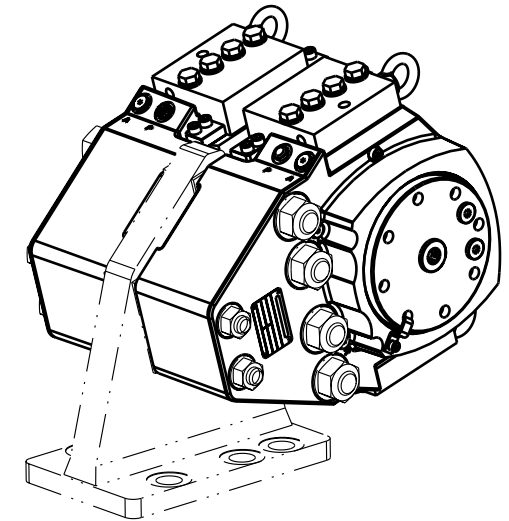
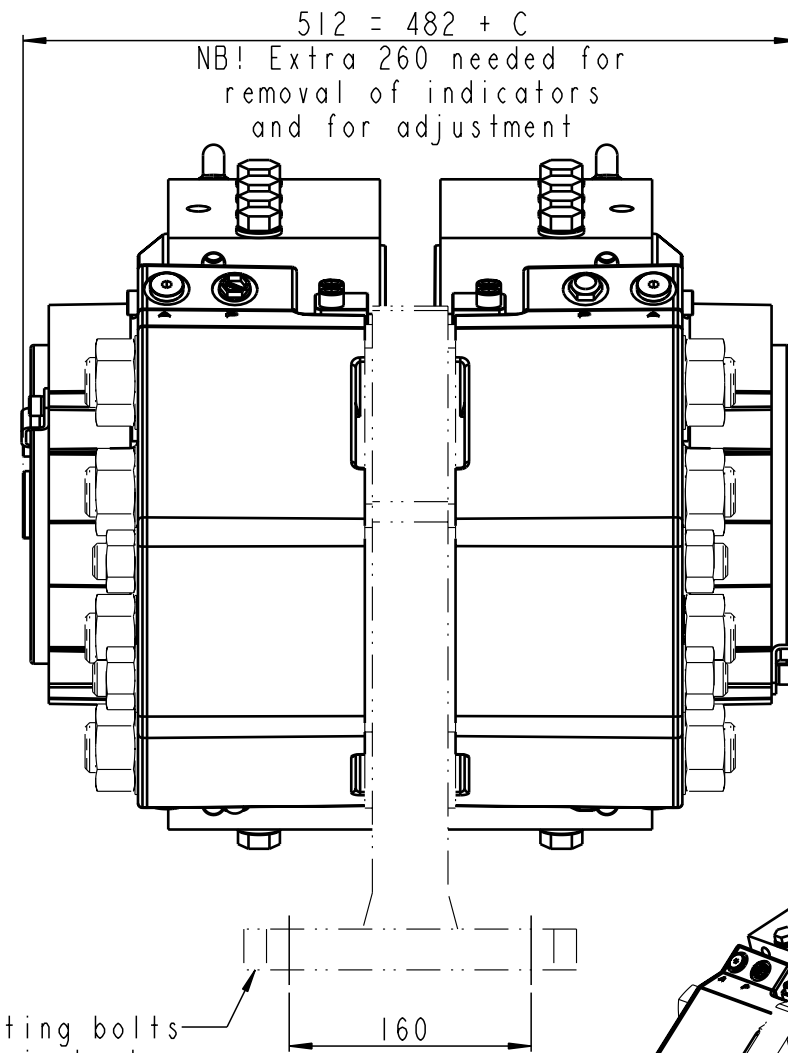
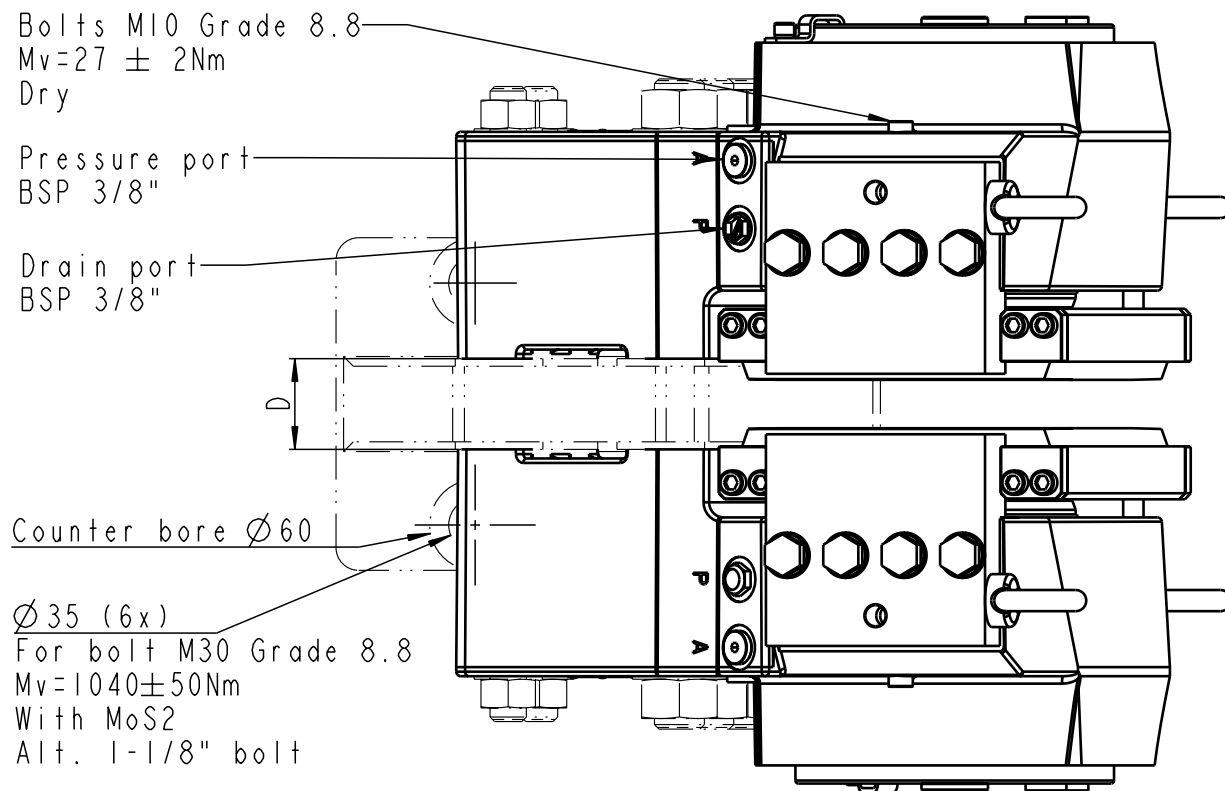
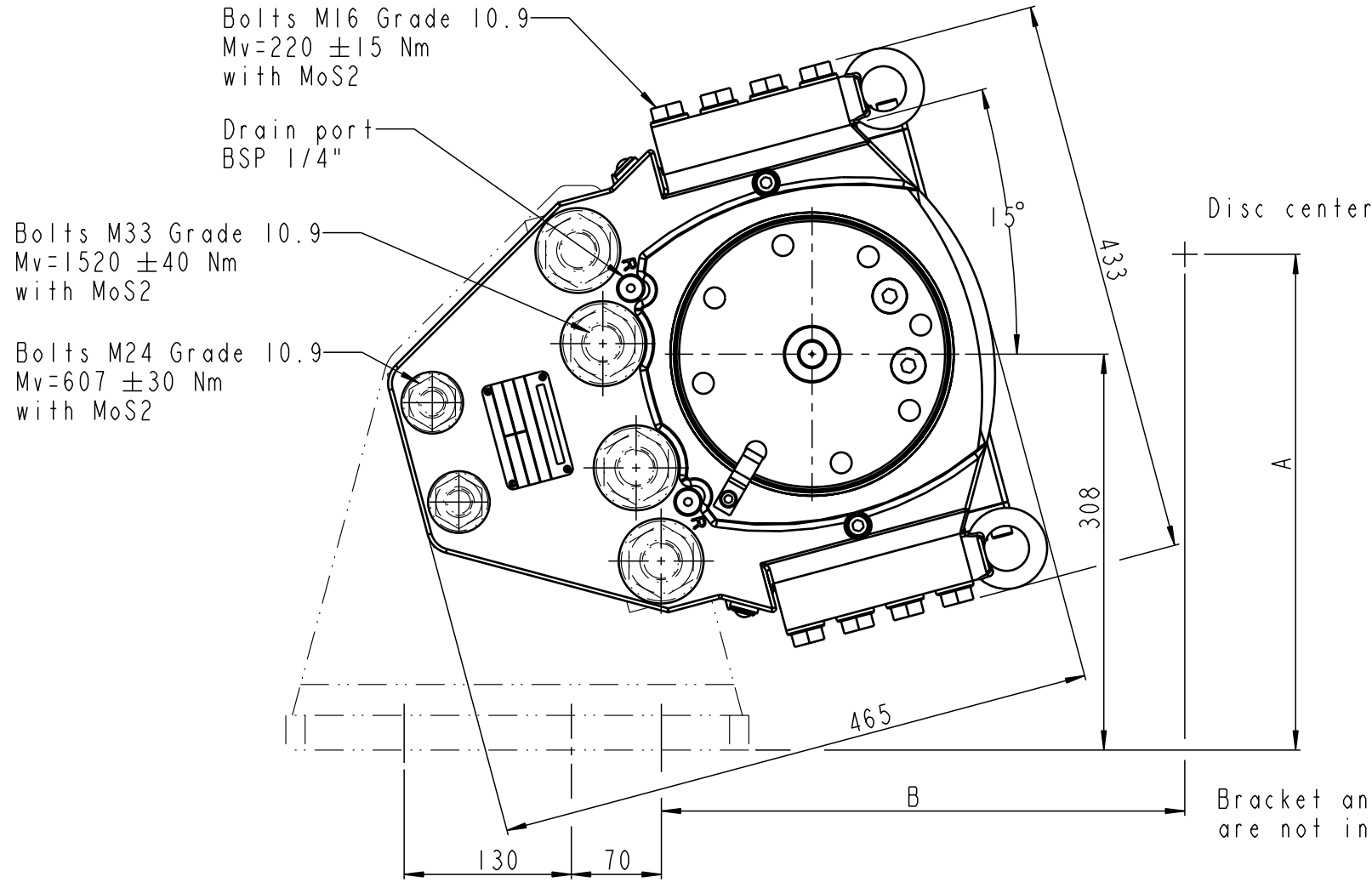


Denmark: Jernbanevej 9, 5882 Vejstrup, Denmark
Germany: Kirchnerstrasse 42, D-32257 Bünde, Germany

Rev. A 93224 RRH 21.08.2006
Rev. B 93703 SFR 27.03.2008



SCALE 1:10

Distance from center of disc (R = radius of disc)

$A = 0,259(R-110) + 307,9$

$B = 0,966(R-110) + 117,2$

C = Disc thickness

D = Mounting surface width = C+30

Mounting data, see drawing 490 1046

Weight: Approx. 310kg incl. brake pads (excl. bracket and bolts)

Tolerances for corner radii, angles, chamfers and threads according to: DS/EN 22768 - m		✓ Indicates Ra in μ m	All dimensions in mm	Accep. for prod. by
Description		BSAH 500-S-500		Drw+Design checked by
Drawn by R.R.Hansen	Date: 07.02.2006	Drawing No. 490-3564		Revision B
				Scale 1:5 (A3)
SVENDBORG BRAKES		Drawing No. 490-3564		Sheet 1 of 1 sheets

Svendborg Brakes A/S reserves the right to revise this document without prior notification or obligation

CONFIDENTIAL

CHECKED by SYSTEM
12-04-2010
RELEASED
by sfr