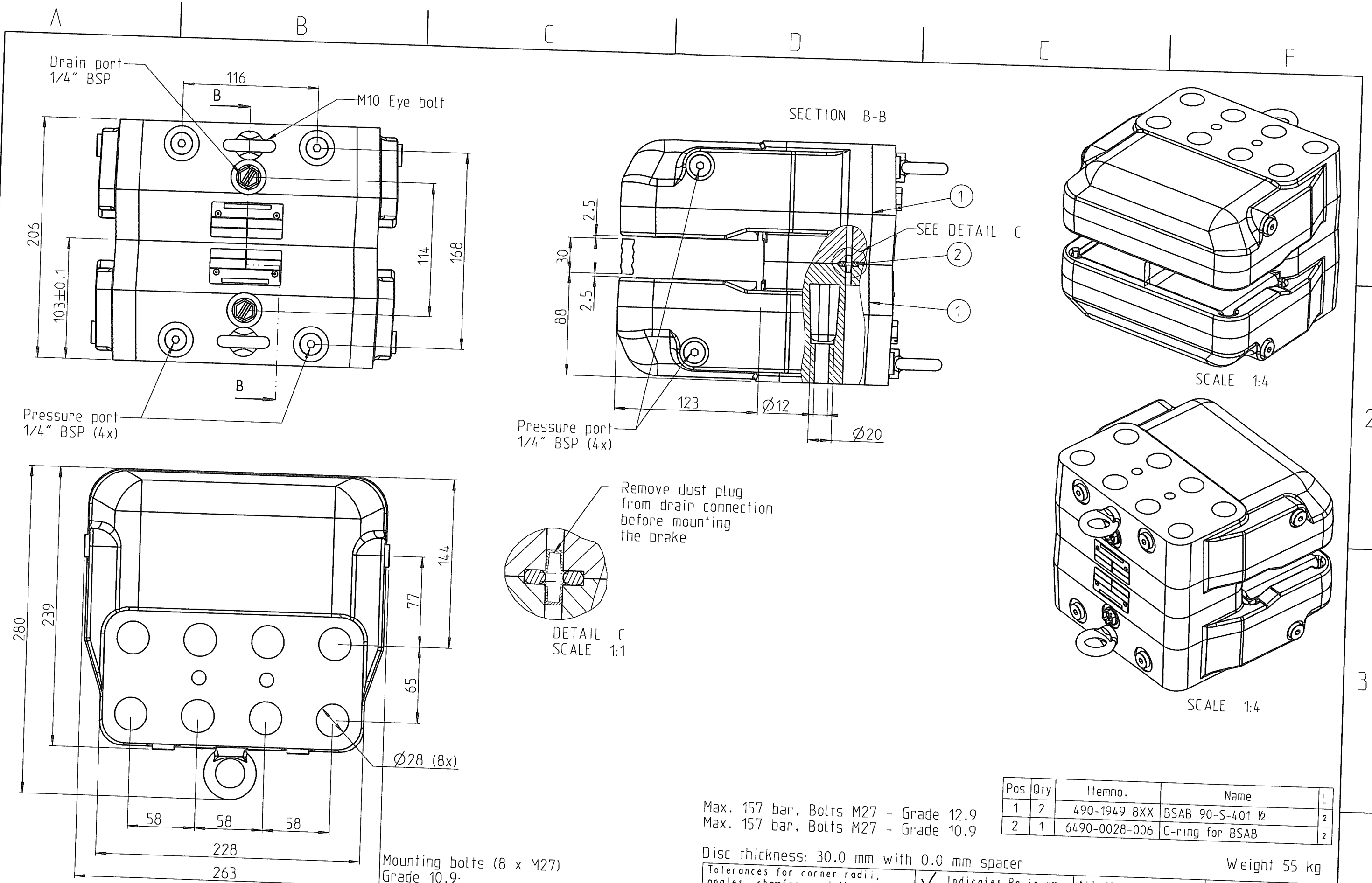


Denmark: Jernbanevej 9, 5882 Vejstrup, Denmark
 Germany: Kirchenerstrasse 42, D-32257 Bünde, Germany

This drawing/document is the sole property of
 Svendborg Brakes A/S and may not be copied,
 given to a third party or used for unauthorized purpose

Rev. A 92439 NCH 03/12
 Rev. B 92719 RRH 04/45
 Rev. C 92960 RRH 23.08.2005
 Rev. D 92990 RRH 16.09.2005

Svendborg Brakes A/S reserves the right to revise
 this document without prior notification or obligation



Mounting bolts (8 x M27)
 Grade 10.9:
 Greased with MoS₂4 - Mv = 1080 ± 40 Nm
 Untreated and oiled - Mv = 1280 ± 40 Nm
 Grade 12.9:
 Greased with MoS₂4 - Mv = 1290 ± 40 Nm
 Untreated and oiled - Mv = 1530 ± 40 Nm

Max. 157 bar. Bolts M27 - Grade 12.9
 Max. 157 bar. Bolts M27 - Grade 10.9

Disc thickness: 30.0 mm with 0.0 mm spacer

Pos	Qty	Itemno.	Name	L
1	2	490-1949-8XX	BSAB 90-S-401 1/2	2
2	1	6490-0028-006	O-ring for BSAB	2

Weight 55 kg

Tolerances for corner radii, angles, chamfers and threads according to: DS/EN 22768 - m		✓ Indicates Ra in μ m	All dimensions in mm	Accep. for prod. by
Drawn by NCH	Date: 20.02.03	Description BSAB 90-S-401 COMPL. F/M27		Drw+Design checked by <i>[Signature]</i> 26/9-05
		Drawing No. 490-1946-8XX		Revision D
				Scale 33:100 (A3) Sheet 1 of 1 sheets

1
2
3
4