

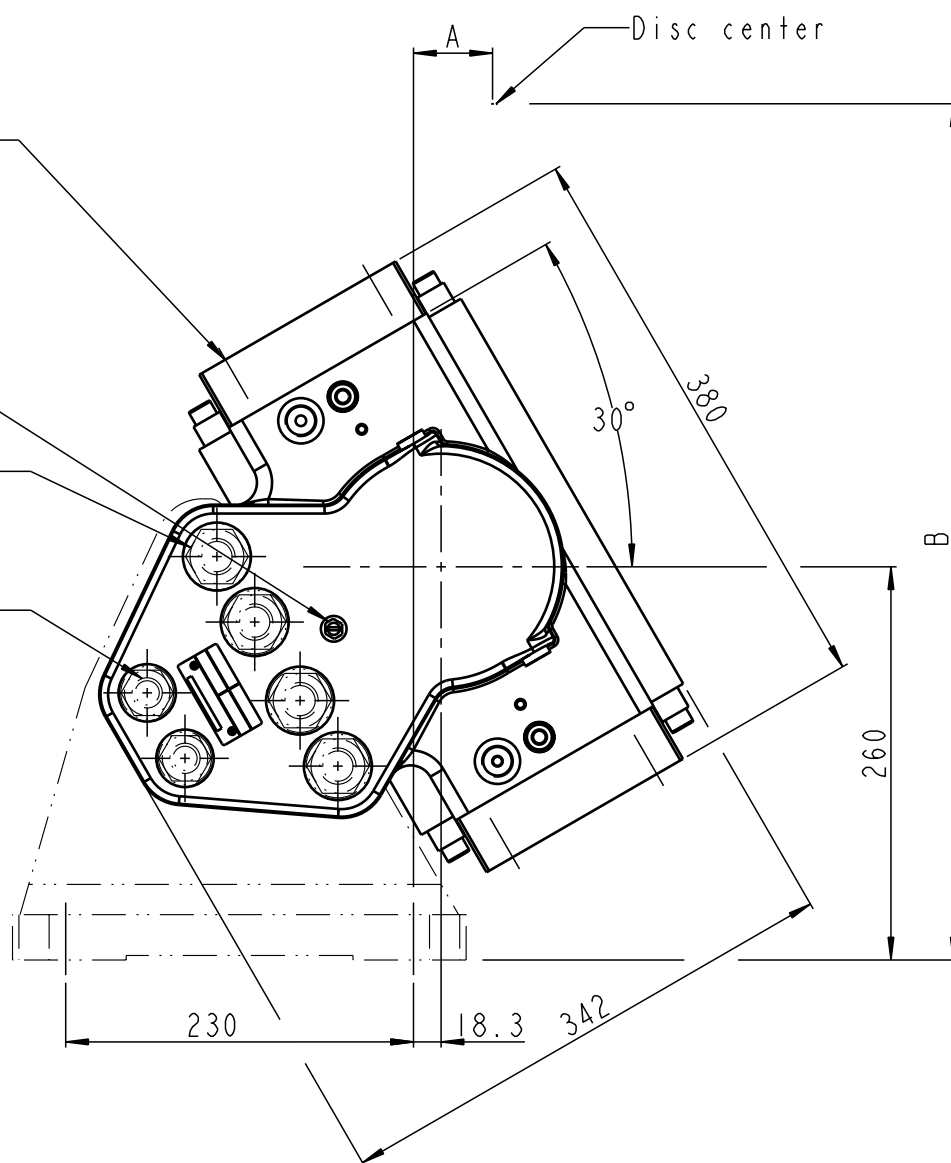
Rev. B 94277 SFR 25.05.2009

Bolts M20 Grade 8.8
Mv = 305 ± 20Nm
With MoS2

Drain port
1/8" BSP

Bolts M24 Grade 10.9
Mv = 740 ± 30Nm
With MoS2

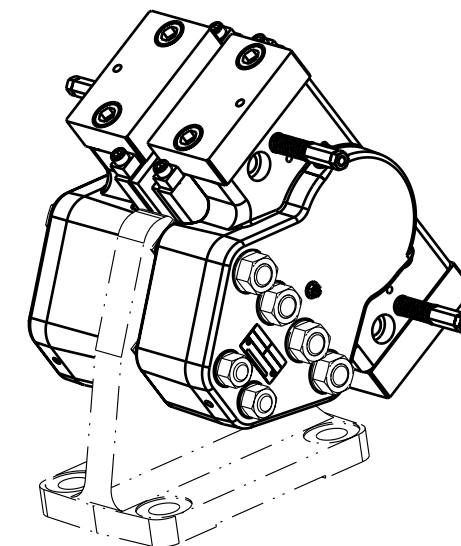
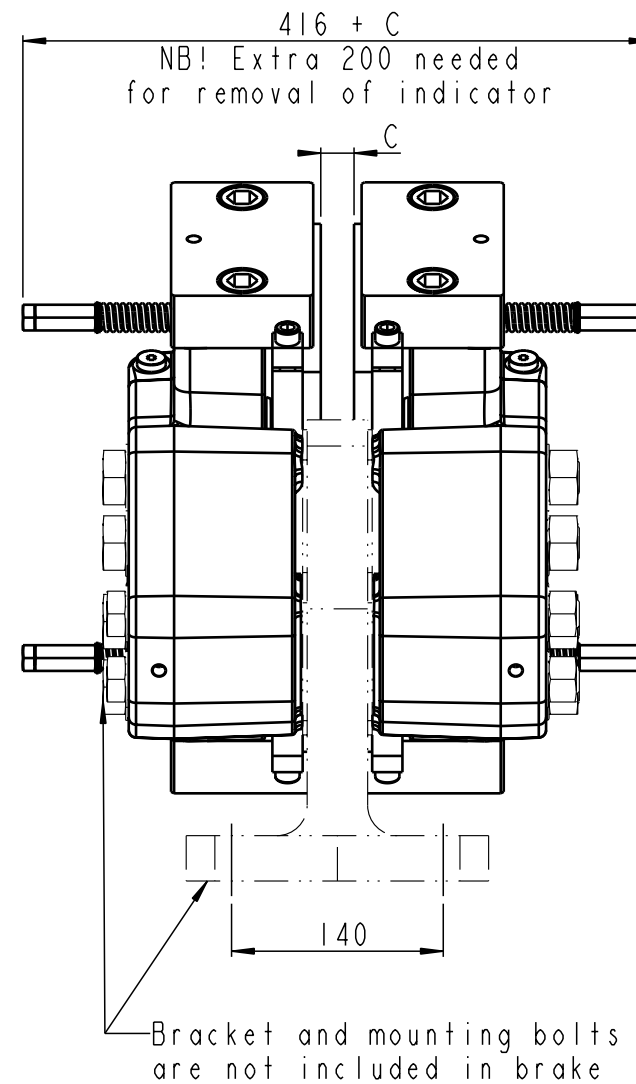
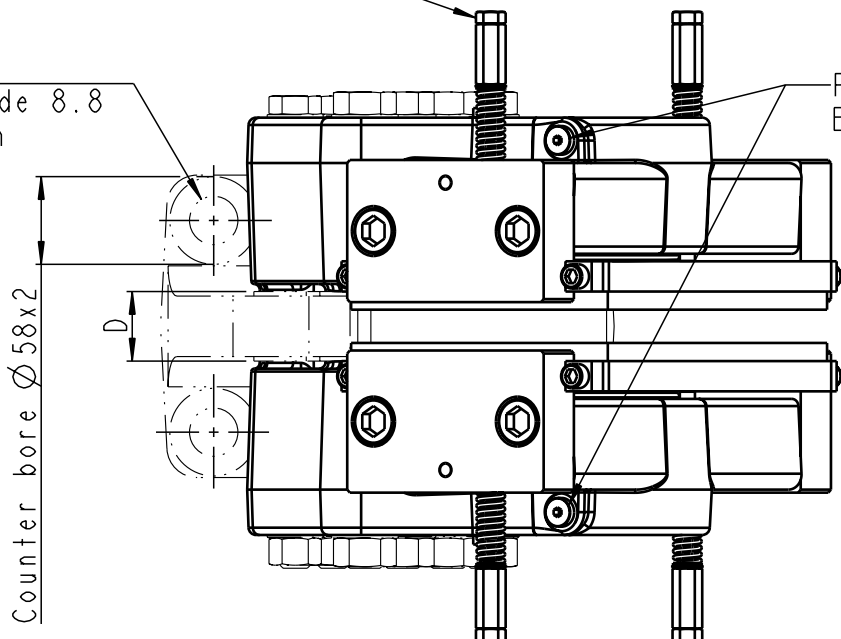
Bolts M20 Grade 10.9
Mv = 430 ± 20Nm
With MoS2



Pin bolts M10 (AISI 303)
Mv = 27 ± 2Nm
Dry

Ø32 (4x)
For bolt M30 grade 8.8
Mv = 1040 ± 40Nm
With MoS2

Pressure port
BSP 1/4"



Distance from center of brake disc (R = Radius of brake disc)
 $A = 0.866 (R - 100) + 18.3$
 $B = 0.5 (R - 100) + 260$
 $C = \text{Brake disc thickness}$
 $D = \text{Mounting surface width} = C + 26 \text{ (nominal 24 + wanted air gap)}$
 Mounting drawing, see drawing 490-1778
 Weight: Approx. 130 kg incl. brake pads (excl. bracket and bolts)

Tolerances for corner radii, angles, chamfers and threads according to: DS/EN 22768 - m		✓ Indicates Ra in µm	All dimensions in mm	Accep. for prod. by
Description		BSAK 3000-S-100		
Drawn by COT	Date: 26.05.2005	Revision B		
Drawing No. 490-3413-801		Scale 1:5 (A3)		
Sheet 1 of 1 sheets				

Denmark: Jernbanevej 9, 5882 Vejstrup, Denmark
Germany: Kirchnerstrasse 42, D-32257 Bünde, Germany

This drawing/document is the sole property of Svendborg Brakes A/S and may not be copied, given to a third party or used for unauthorized purpose

Svendborg Brakes A/S reserves the right to revise this document without prior notification or obligation

CONFIDENTIAL

CHECKED by SYSTEM 12-04-2010 RELEASED by sfr