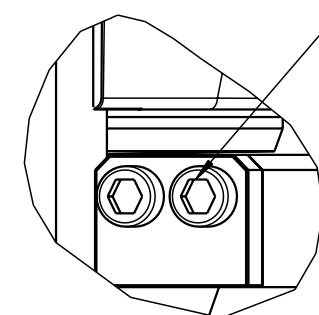
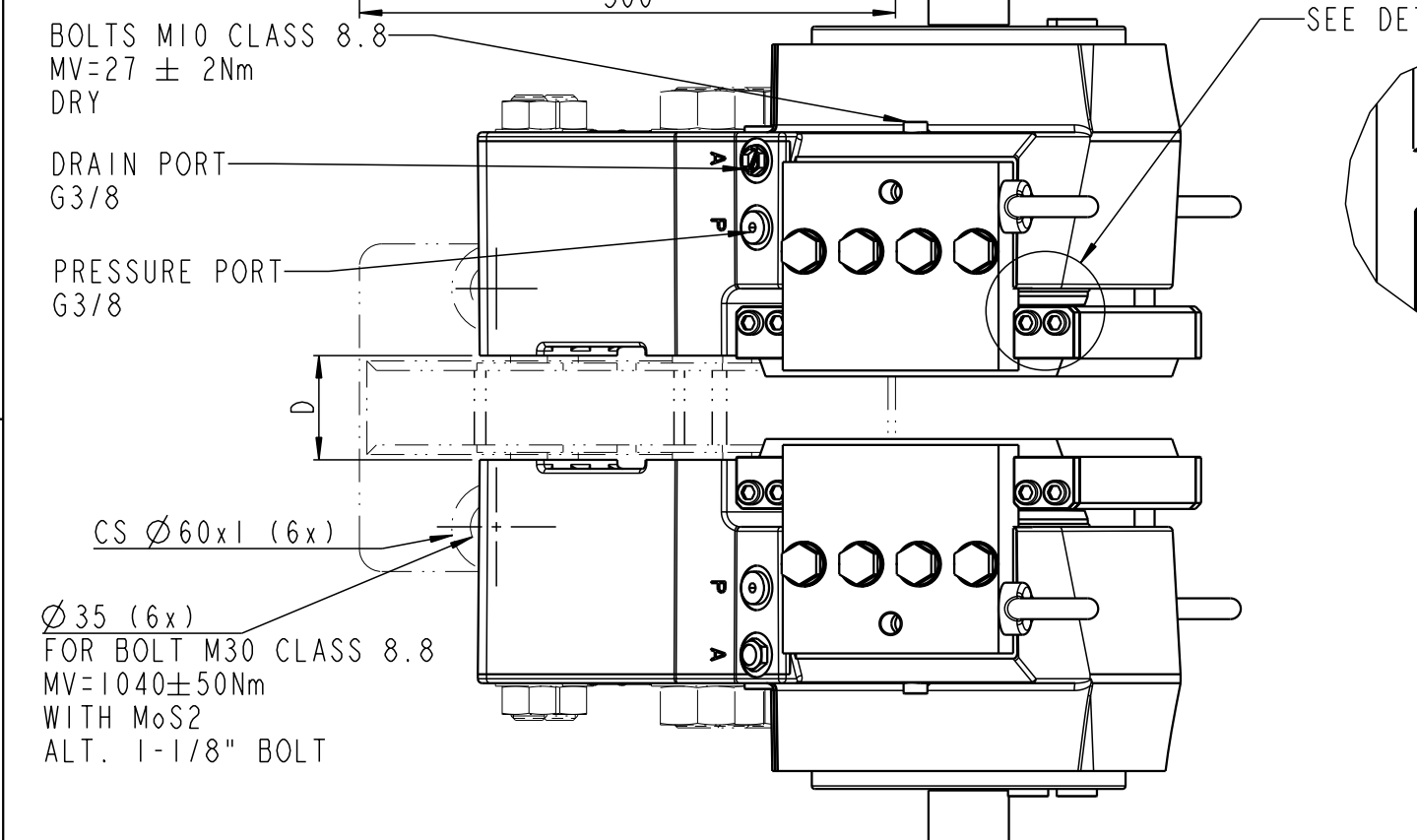
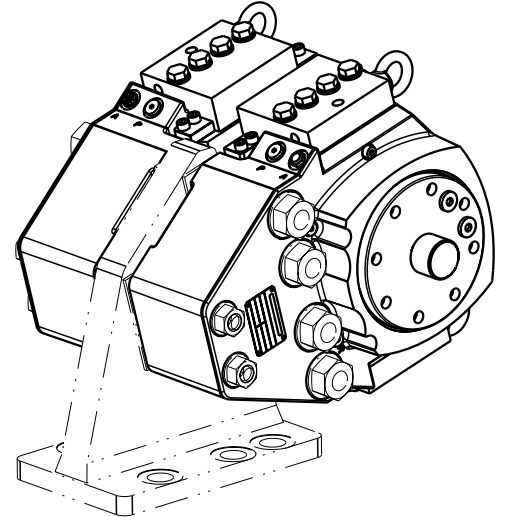
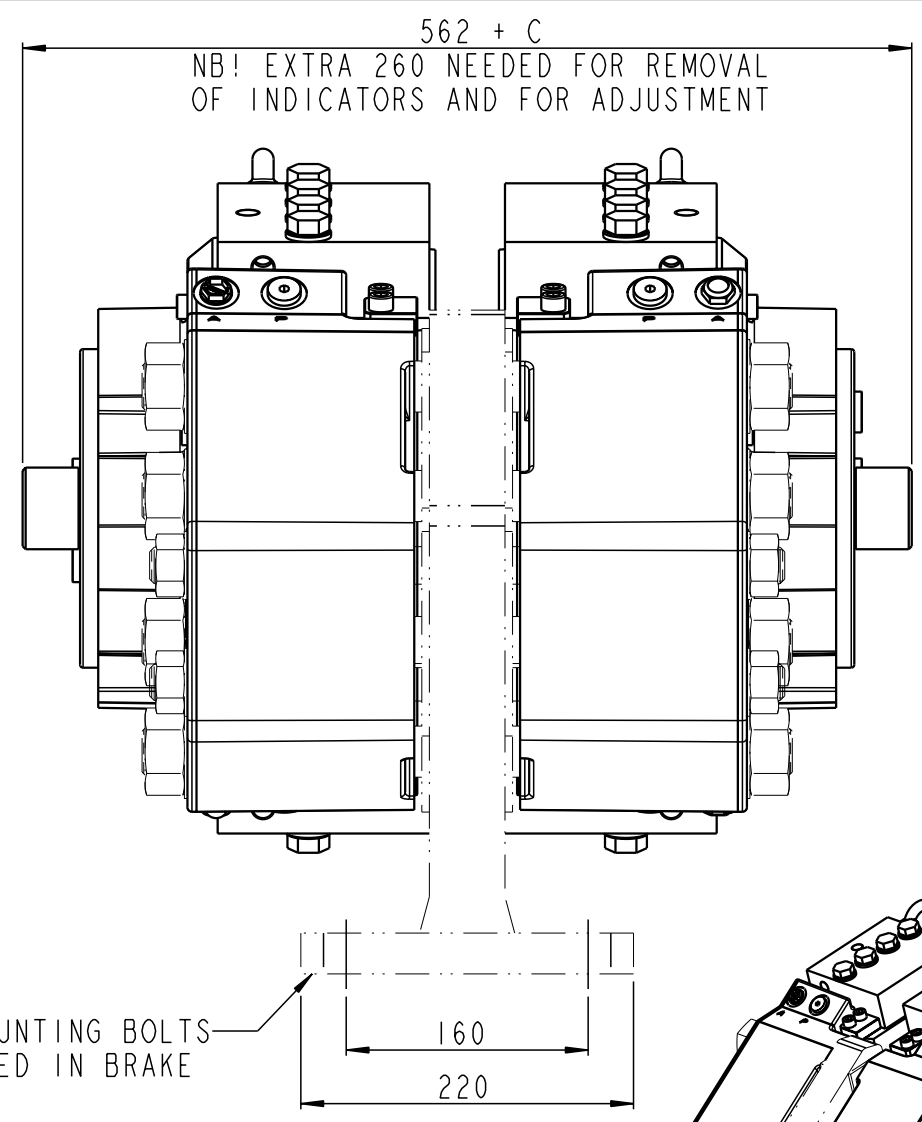
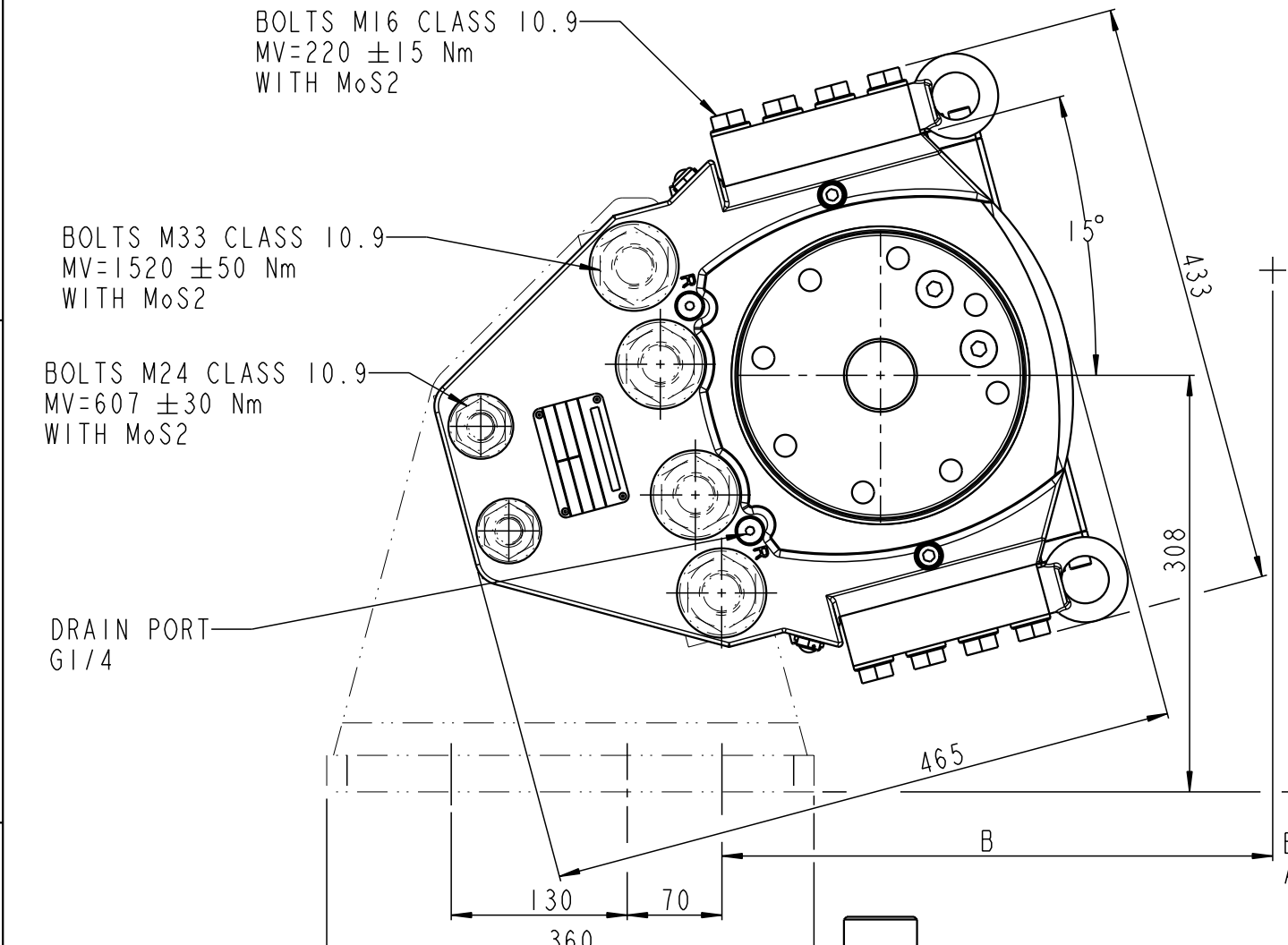


SVENDBORG BRAKES, DENMARK
 CVR / VAT: 13256438
 WWW.SVENDBORG-BRAKES.COM
 THIS DRAWING/DRAWING REMAINS THE PROPERTY OF SVENDBORG BRAKES AND MUST NOT BE COPIED WITHOUT OUR PRIOR WRITTEN PERMISSION. AND THE CONTENTS THEREOF MUST NOT BE DISCLOSED TO ANY THIRD PARTY. NOR BE USED FOR ANY UNAUTHORIZED PURPOSE. LEGAL ACTION WILL BE TAKEN IN THE EVENT OF CONTRAVENTION.

REV. B 95280 NCH 14.06.2011
 REV. C 97748 SFR 09.04.2015
 REV. D 97953 MIH 08.07.2015



DISTANCE FROM CENTER OF DISC (R = RADIUS OF DISC)
 A = 0,259(R-110) + 307,9
 B = 0,966(R-110) + 117,2
 C = DISC THICKNESS
 D = MOUNTING SURFACE WIDTH= C+30
 MOUNTING DATA, SEE DRAWING 490-1046
 WEIGHT: APPROX. 310KG INCL. BRAKE PADS (EXCL. BRACKET AND BOLTS)

TOLERANCES FOR INTERNAL AND EXTERNAL RADII, ANGLES AND CHAMFERS ACCORDING TO: ISO 2768 - mK		ALL DIMENSIONS IN mm	DRAWING STATUS
DRAWN BY RRH		DESCRIPTION BSFH 500-S-501	Released
DATE 07.02.2006			
DRAWING NO. 490-3562		REVISION D	SCALE 1:5 (A3)
		SHEET 1 OF 1 SHEETS	

SVENDBORG BRAKES RESERVES THE RIGHT TO REVISE THIS DOCUMENT WITHOUT PRIOR NOTIFICATION OR OBLIGATION

CONFIDENTIAL

RELEASED by mia.horbye