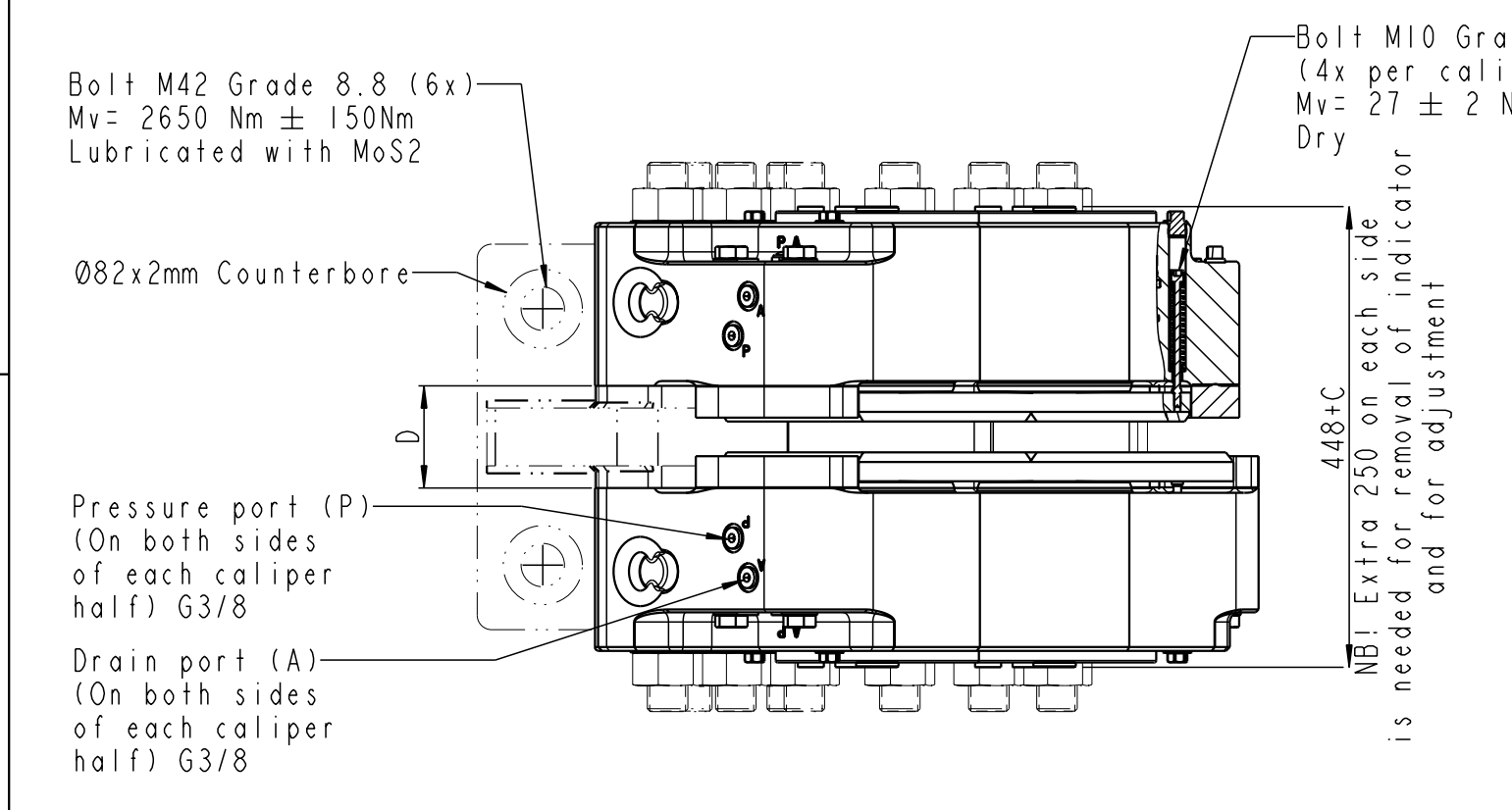
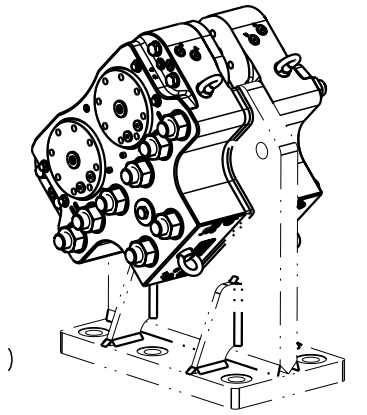


Rev. G 97226 ROL 30.07.2014
 Rev. H 97609 CAS 11.02.2015
 Rev. I 98086 RMJ 14.09.2015



Distance from center of disc (R = Radius of disc)
 A= 0.707 (R-103.5) - 121
 B= 0.707 (R-103.5) + 653
 C = Brake disc thickness
 D = Mounting surface width: C+76
 Weight: approx 780 kg (incl. brake pads excl. bolts and bracket)
 Mounting data, see drawing 490-5400
 (A)+(L): Drain ports, must not be pressurized
 (P) : Pressure ports.



TOLERANCES FOR INTERNAL AND EXTERNAL RADII, ANGLES AND CHAMFERS ACCORDING TO: ISO 2768 - mK		ALL DIMENSIONS IN mm	DRAWING STATUS
DRAWN BY CKR		DESCRIPTION BSFH D500-XXX-X-102	Released
DATE 27-05-2013			
DRAWING NO. 490-5403		REVISION I	SCALE 13:100 (A3)
		SHEET 1 OF 1 SHEETS	