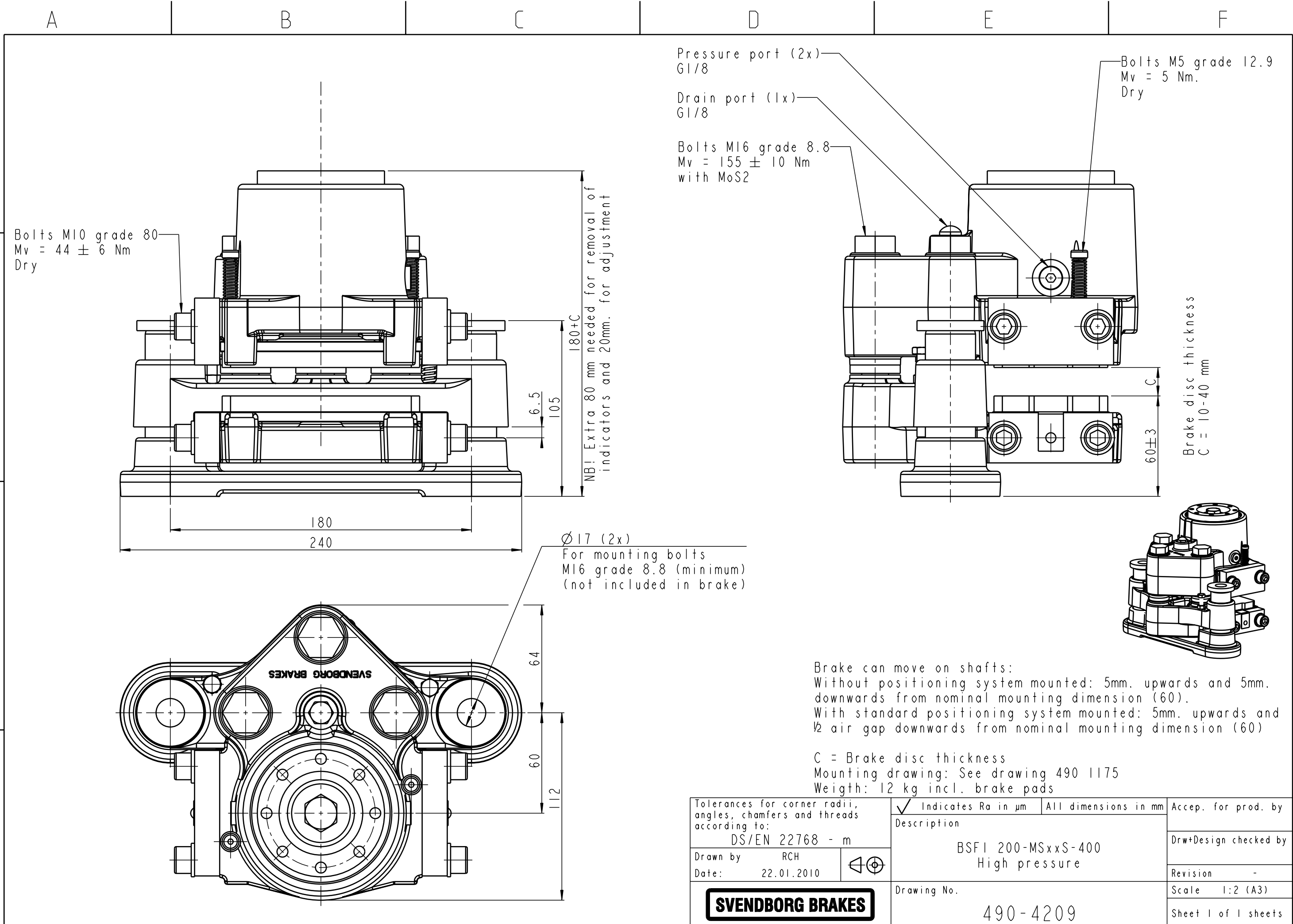


This drawing / document remains the property of Svendborg Brakes A/S and must not be copied without our prior written permission, and the contents thereof must not be disclosed to any third party, nor be used for any unauthorized purpose. Legal action will be taken in the event of contravention.

Denmark: Jernbanevej 9, 5882 Vejstrup, Denmark  
 Germany: Kirchnerstrasse 42, D-32257 Bünde, Germany



Tolerances for corner radii, angles, chamfers and threads according to: DS/EN 22768 - m		✓ Indicates Ra in $\mu\text{m}$	All dimensions in mm	Accep. for prod. by
Drawn by: RCH		Description BSFI 200-MSxxS-400 High pressure		Drw+Design checked by
Date: 22.01.2010				Revision: -
		Drawing No. 490-4209		Scale: 1:2 (A3)
				Sheet 1 of 1 sheets

Svendborg Brakes A/S reserves the right to revise this document without prior notification or obligation

**CONFIDENTIAL**

CHECKED by SYSTEM 12-04-2010 RELEASED by rch