

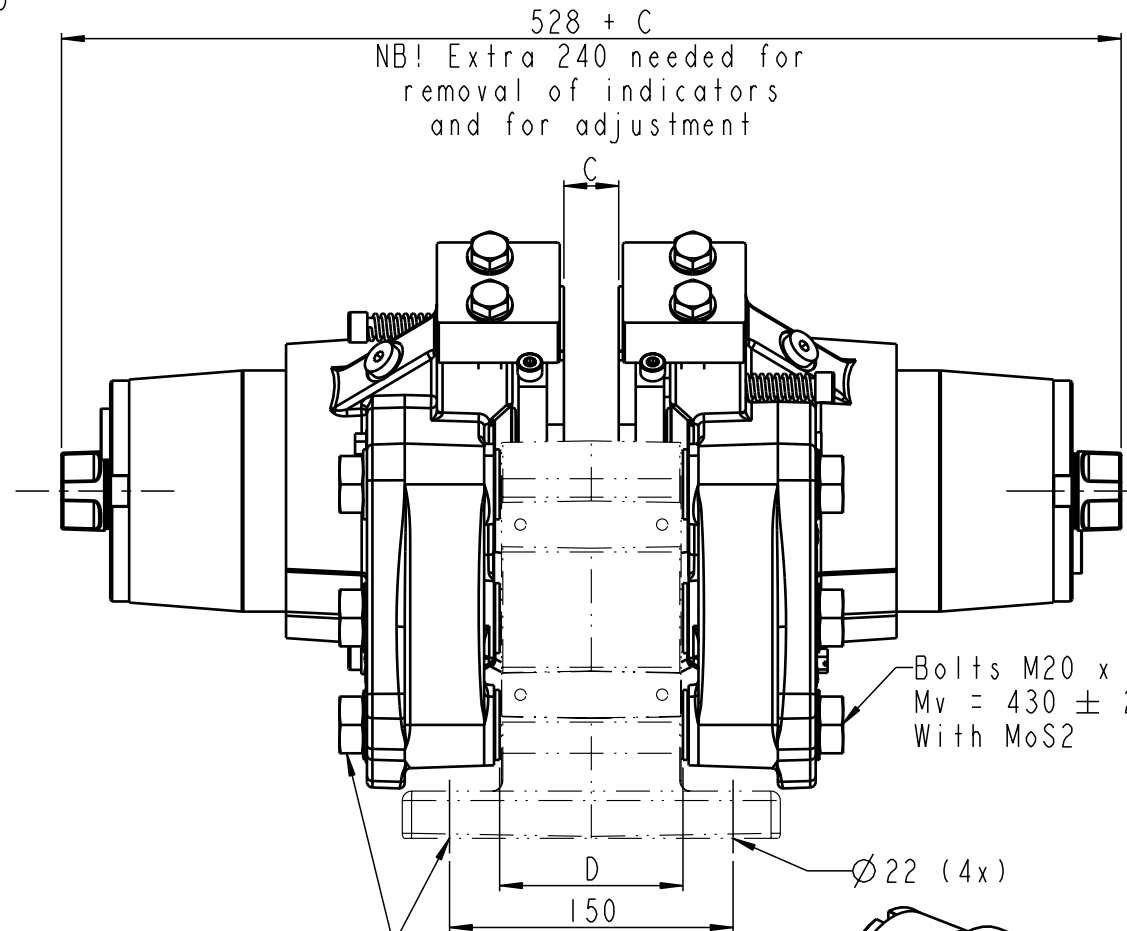
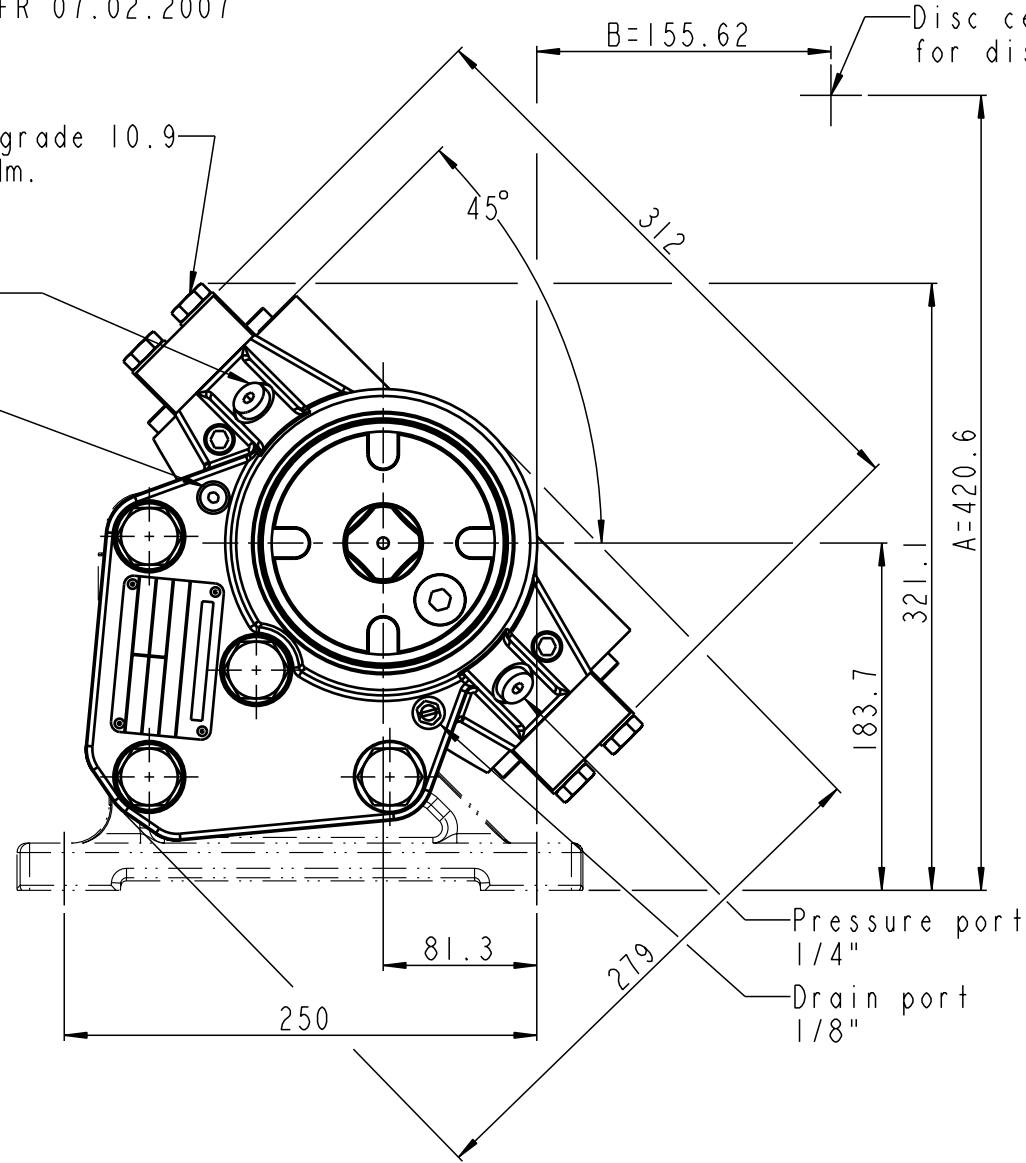
Denmark: Jernbanevej 9, 5882 Vejstrup, Denmark
Germany: Kirchnerstrasse 42, D-32257 Bünde, Germany

Rev. A 93369 SFR 07.02.2007

Bolts M12x50 grade 10.9
Mv = 91 ± 8 Nm.
With MoS2

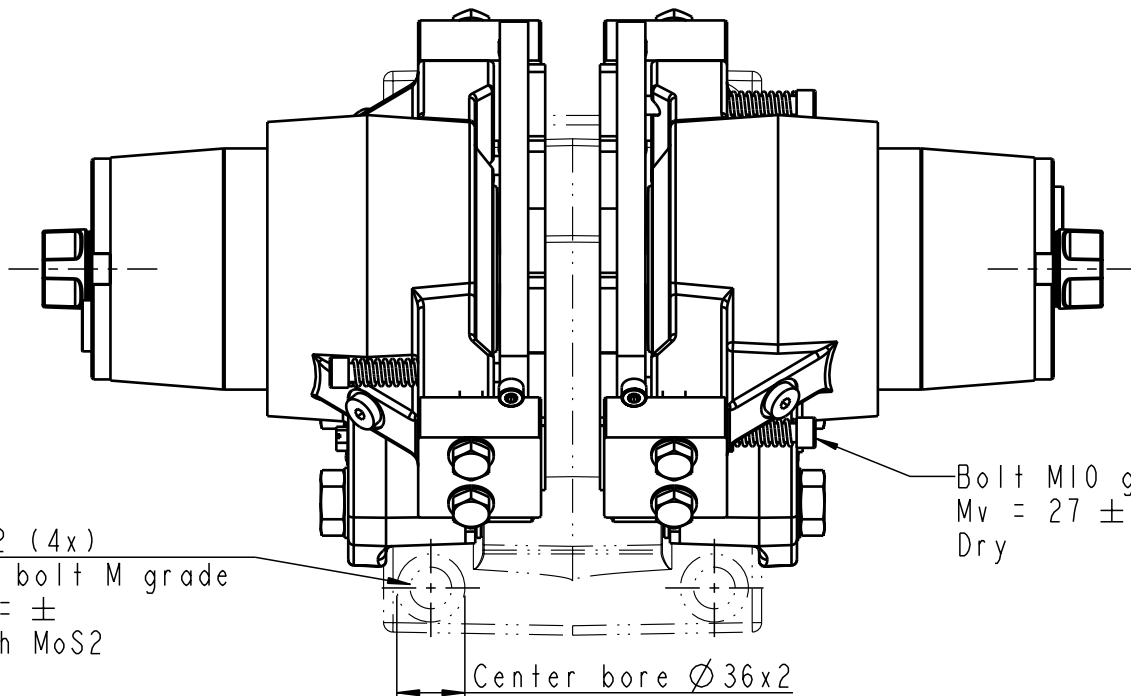
Pressure port
BSP 1/4"

Drain port
BSP 1/8"



Bracket and mounting bolts are not included in brake

Bolts M20 x 100 grade 10.9
Mv = 430 ± 20 Nm.
With MoS2



Distance from center of brake disc (R = Radius of brake disc)

$A = 0.7071 (R - 65) + 183.7$

$B = 0.7071 (R - 65)$

C = Brake disc thickness

D = Mounting surface width = C + 77

Mounting drawing, see drawing 490-2349

Weight: Approx. 70 kg incl. brake pads (excl. bracket and bolts)

Tolerances for corner radii, angles, chamfers and threads according to: DS/EN 22768 - m		<input checked="" type="checkbox"/> Indicates Ra in μm	All dimensions in mm	Accep. for prod. by
Drawn by R.R.Hansen		Description		Drw+Design checked by
Date: 18.10.2000		BSFI 300-S-300		Revision A
SVENDBORG BRAKES		Drawing No.		Scale 1:4 (A3)
		490-2416		Sheet 1 of 1 sheets

This drawing/document is the sole property of Svendborg Brakes A/S and may not be copied, given to a third party or used for unauthorized purpose

Svendborg Brakes A/S reserves the right to revise this document without prior notification or obligation

CONFIDENTIAL

CHECKED by SYSTEM 12-04-2010
RELEASED by sfr