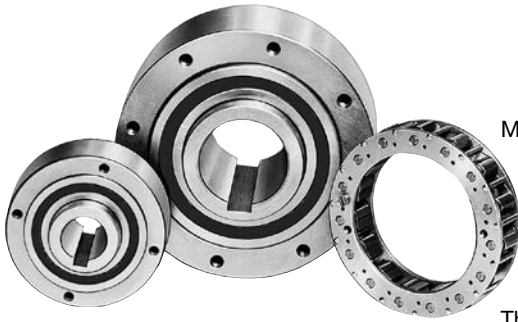


Modular “Building Block” Clutches

RIZ/RINZ

Overrunning, Backstopping Ball Bearing Supported, Centrifugal Throwout (C/T) Sprag Clutches



Models RIZ and RINZ are centrifugal throw-out sprag type clutches with the inner race rotating. Suitable for backstop, or overrunning clutch applications. Only the inner race is designed for overrunning.

These units are part of the Stieber modular system. They are bearing supported using Series 60 grease sealed bearings.

Units are shipped with grease and ready to install in either a horizontal or vertical position.

Models RIZ and RINZ are designed to be used with G series covers (see following pages). If the unit is to be installed inside a housing where oil lubrication is available, please specify type RIW and RIWN. To facilitate the oil flow the F series covers from model GFR and GFRN are then used without seals. Models

RIZ and RINZ are identical, except that model RINZ has a keyseat on the outside diameter to transmit torque.

For bolt tightening torque values, see page 132.

Maintenance

The Model RIZ using grease sealed bearings has almost zero lubrication maintenance requirements. The C/T Sprag feature provides no Sprag contact or wear during overrunning when operated above the Sprag lift-off speed. The typical recommended maintenance is to replace the bearing every three years. The Sprag assembly and race are to be relubricated with grease for corrosion protection at this time. All applications should be reviewed by Formsprag Engineering for complete Maintenance recommendation.

Specifications

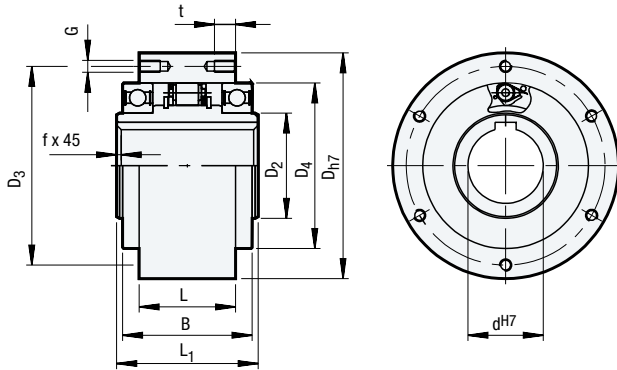
Size	Torque Capacity lb.ft. (Nm)	Overrunning Speed Max. RPM			Lubrication	Shipping Weight lb. (kg)
		Drive	Sprag Lift-off	Inner Race Overrunning		
30	276 (375)	350	780	9,000	Grease	5.07 (2.3)
35	406 (550)	320	740	8,500	Grease	7.06 (3.2)
40	590 (800)	315	720	7,500	Grease	10.58 (4.8)
45	673 (912)	285	665	6,600	Grease	11.03 (5)
50	1,033 (1400)	265	610	6,000	Grease	16.54 (7.5)
60	1,734 (2350)	200	490	5,300	Grease	28.00 (12.7)
70	2,250 (3050)	210	480	4,100	Grease	31.97 (14.5)
80	3,321 (4500)	190	450	3,600	Grease	41.90 (19)
90	4,132 (5600)	180	420	2,700	Grease	65.05 (29.5)
100	7,748 (10500)	200	455	2,700	Grease	93.71 (42.5)
130	11,623 (15750)	180	415	2,400	Grease	154.35 (70)

Note: When ordering, please specify direction of rotation.

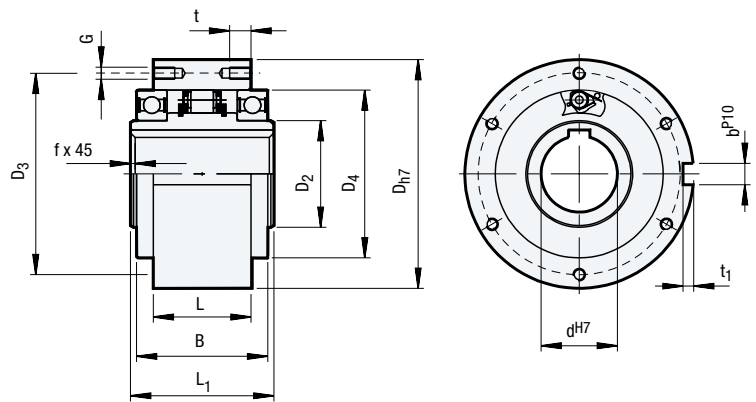
Modular “Building Block” Clutches

RIZ/RINZ

RIZ



RINZ



Dimensions inches (mm)

Size	d ^{H7}	D _{h7}	D ₂	D ₄	D ₃	G	Number of Holes	L ₁	L	B	t	f	t ₁	b ^{P10}
30	1.18 (30)	3.94 (100)	1.77 (45)	2.95 (75)	3.43 (87)	M6	6	2.68 (68)	1.69 (43)	2.38 (60.5)	0.39 (10)	0.04 (1)	0.16 (4)	0.31 (8)
35	1.38 (35)	4.33 (110)	1.97 (50)	3.15 (80)	3.78 (96)	M6	6	2.91 (74)	1.77 (45)	2.48 (63)	0.47 (12)	0.04 (1)	0.20 (5)	0.39 (10)
40	1.57 (40)	4.92 (125)	2.17 (55)	3.54 (90)	4.25 (108)	M8	6	3.39 (86)	2.09 (53)	2.87 (73)	0.55 (14)	0.06 (1.5)	0.20 (5)	0.47 (12)
45	1.77 (45)	5.12 (130)	2.36 (60)	3.74 (95)	4.41 (112)	M8	8	3.39 (86)	2.09 (53)	2.87 (73)	0.55 (14)	0.06 (1.5)	0.22 (5.5)	0.55 (14)
50	1.97 (50)	5.91 (150)	2.76 (70)	4.33 (110)	5.20 (132)	M8	8	3.70 (94)	2.52 (64)	3.39 (86)	0.55 (14)	0.06 (1.5)	0.22 (5.5)	0.55 (14)
60	2.36 (60)	6.69 (170)	3.15 (80)	4.92 (125)	5.91 (150)	M10	10	4.49 (114)	3.07 (78)	4.13 (105)	0.63 (16)	0.08 (2)	0.28 (7)	0.71 (18)
70	2.76 (70)	7.48 (190)	3.54 (90)	5.51 (140)	6.50 (165)	M10	10	5.28 (134)	3.74 (95)	4.88 (124)	0.63 (16)	0.10 (2.5)	0.30 (7.5)	0.79 (20)
80	3.15 (80)	8.27 (210)	4.13 (105)	6.30 (160)	7.28 (185)	M10	10	5.67 (144)	3.94 (100)	4.88 (124)	0.63 (16)	0.10 (2.5)	0.35 (9)	0.87 (22)
90	3.54 (90)	9.06 (230)	4.72 (120)	7.09 (180)	8.11 (206)	M12	10	6.22 (158)	4.53 (115)	5.63 (143)	0.79 (20)	0.12 (3)	0.35 (9)	0.98 (25)
100	3.94 (100)	10.63 (270)	5.51 (140)	8.27 (210)	9.45 (240)	M16	10	7.17 (182)	4.72 (120)	6.02 (153)	0.94 (24)	0.12 (3)	0.39 (10)	1.10 (28)
130	5.12 (130)	12.20 (310)	6.30 (160)	9.45 (240)	10.94 (278)	M16	12	8.35 (212)	5.98 (152)	7.64 (194)	0.94 (24)	0.12 (3)	0.43 (11)	1.26 (32)

Bore sizes and keyseats

inches (mm)

Size	d ^{H7} Bore Size	Keyseat*
30	1.18 (30)	(8 X 3.3)
35	1.38 (35)	(10 X 3.3)
40	1.57 (40)	(12 X 3.3)
45	1.77 (45)	(14 X 3.8)
50	1.97 (50)	(14 X 3.8)
60	2.36 (60)	(18 X 4.4)
70	2.76 (70)	(20 X 4.9)
80	3.15 (80)	(22 X 5.4)
90	3.54 (90)	(25 X 5.4)
100	3.94 (100)	(28 X 6.4)
130	5.12 (130)	(32 X 7.4)

* For keyseat sizes see DIN 6885.1 table on page 127.